



CDL, CDLF

2008版

轻型立式多级离心泵



上海新光明泵业制造有限公司

电话: 021-62156413 / 62586878 / 62583382 传真: 021-62156276

网址: www.gmpumps.com

邮箱: 10107606662@qq.com

CDL、QDL型立式不锈钢多级离心泵

<<< 概述 >>>

CDL(QDL)立式多级不锈钢离心泵是采用丹麦先进技术制造而成，其最大优点是水力模型设计先进，高效率，高节能。水泵内部叶轮、泵壳及其主要配件采用不锈钢冲压成形，流道特别光滑，轴瓦、轴套用硬质合金，具有超强的使用寿命，避免产生二次污染。轴封采用耐磨机械密封，无泄漏。电机采用Y2铅外壳、进口轴承，绝缘等级F级。泵运转平稳，低噪音，整机质量可靠，外形美观、体积小、重量轻、运输安装方便，是理想的绿色、环保、节能的水泵。

<<< General introduction >>>

CDL(QDL) vertical multipolar and stainless steel Centrifugal Pump, manufacture dy adopting advanced denmark technology. The best advantage is the advantages of advanced water-power model design, high efficient and save power. There is vane wheel inside, the pump shell and main fittings takes with stainless steel punch, flow-road is very smooth, axle sleeve is hard metal tool, so that will be super-powerful longlasting using time, to prevent producing second pollution, and it axle cover seals with wear-resisting machine, unreveal. Electrical machine adopts Y2 lead case, import bearing, insulating grades F. Pump works smoothly; and low-noise. The quality of this product is dependable, good appearance, small bulk, light, and easy for transport and install. It is ideal water pump of green and surrounding protection and save power.

<<< 型号意义 (Connotation of the type) >>>

CDL (QDL) F 4 — 160



<<< 典型应用 >>>

- 1、市政供水及增压
- 2、工业循环系统及加工系统
- 3、锅炉给水及冷凝液系统
- 4、环保水处理，渗透分析系统
- 5、农业灌溉及脱水
- 6、工业厂房清洗及各种清洗工作
- 7、(其他)许多专门用途

<<< 应用范围 >>>

普通型适用于液体传输，冷热清洁水、软化水的循环和增压。

不锈钢型亦适用于微碱水、脱矿物质水、蒸馏水、游泳池水及其含氯化物液体，但液体允许温度需要降低。

<<< 工作条件 >>>

冷热清洁的，非易燃易爆并不含有固体颗粒或纤维的液体；

液体温度：常温型 $-15^{\circ}\text{C}\sim+70^{\circ}\text{C}$ ，
热水型 $+70^{\circ}\text{C}\sim+120^{\circ}\text{C}$ ；

环境温度：最高 $+40^{\circ}\text{C}$ ；

最小入口压力：根据NPSH曲线+最小安全扬程量0.5米水头。

<<< 性能曲线及性能表说明 >>>

1、所有曲线都基于 $3\times 380\text{V}$ ， 50Hz ，电机在恒速 $2900\text{r}/\text{min}$ 的测量值。电机为可变电电压电机；

2、测量采用自由空气下 20°C 的水，运动粘度 $\nu=1\text{mm}^2/\text{s}$ ；公差参照ISO2584附件B标准；

3、泵的使用参照加粗曲线的性能范围，以防止过热造成危险。

<<< Typical application >>>

- 1、Urban water supply and pressure boosting
- 2、Industrial circulating system and processing system
- 3、Water supply for boiler or condensate system
- 4、Environmental protection water treatment and infiltration analysis system
- 5、Agriculture irrigation and dewatering
- 5、Industrial building cleaning and other washing work
- 6、(Others) many special applications

<<< Scope of application >>>

Common type is applicable for liquid conveying, circulation and boosting of hot and cold clean water, soft water;

Stainless steel type is also used for water with tiny content of alkali, mineral, distilled water, water for swimming pool and solution with chloride, but the allowed Temperature of the liquid shall be reduced.

<<< Working conditions >>>

Hot and cold clean, non-flammable, nonexplosive liquid without solid grain and fiber

Liquid temperature: ambient temperature $-15^{\circ}\text{C}\sim+70^{\circ}\text{C}$, hotwater $+70^{\circ}\text{C}\sim+120^{\circ}\text{C}$;

Highest environmental temperature: $+40^{\circ}\text{C}$

Min inlet pressure: according to NPSH curve + min safe delivery head 0.5m water head.

<<< Explanation to performance curve and table >>>

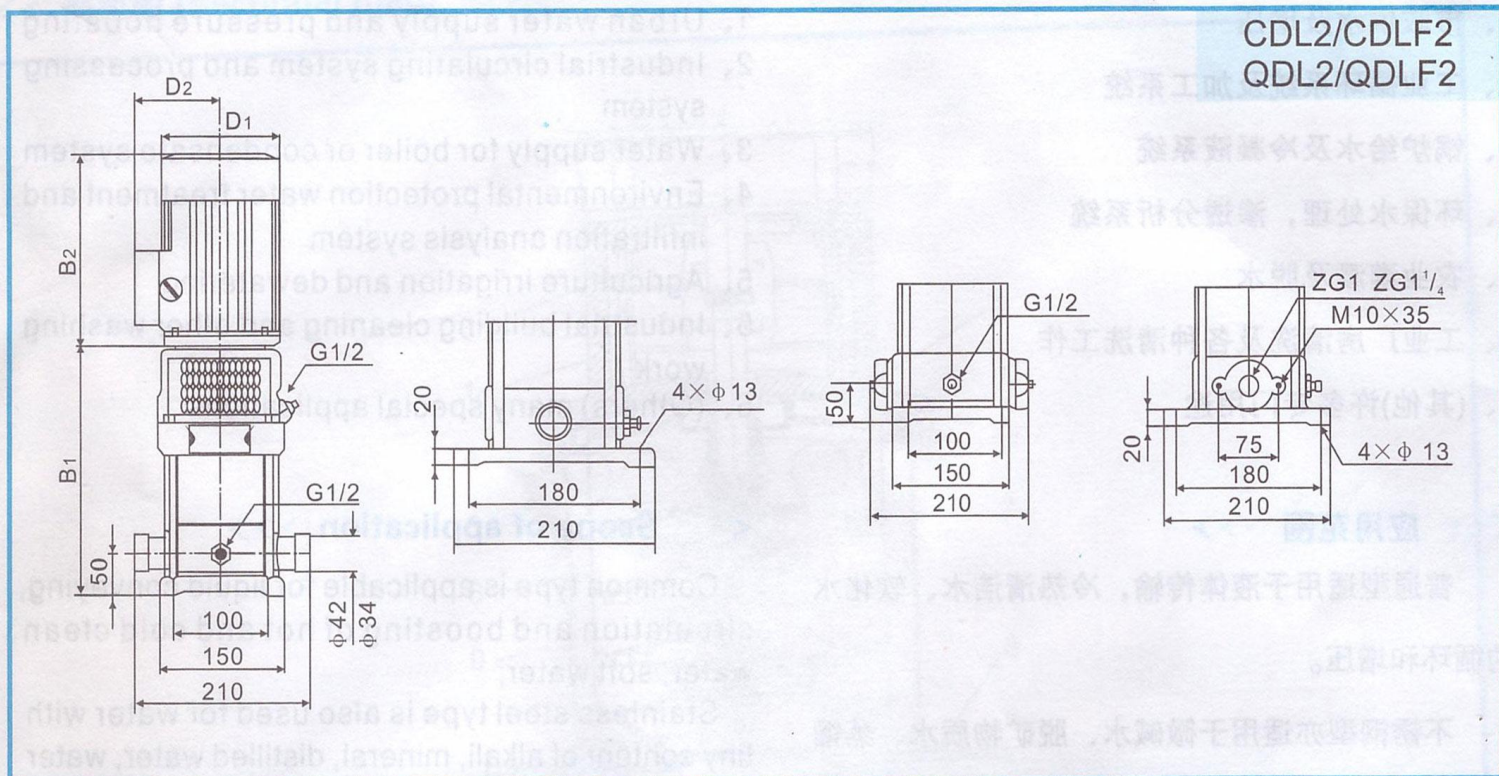
1、All the performance curves are based on the measured values of motor 3×380 , 50Hz under constant speed of $2900\text{r}/\text{min}$. The motor is of changeable voltage;

2、Measurement is done on the basis of: 20°C water in free air, dynamic viscosity $\nu=1\text{mm}^2/\text{sec}$; tolerance refers to attachment B of ISO2584

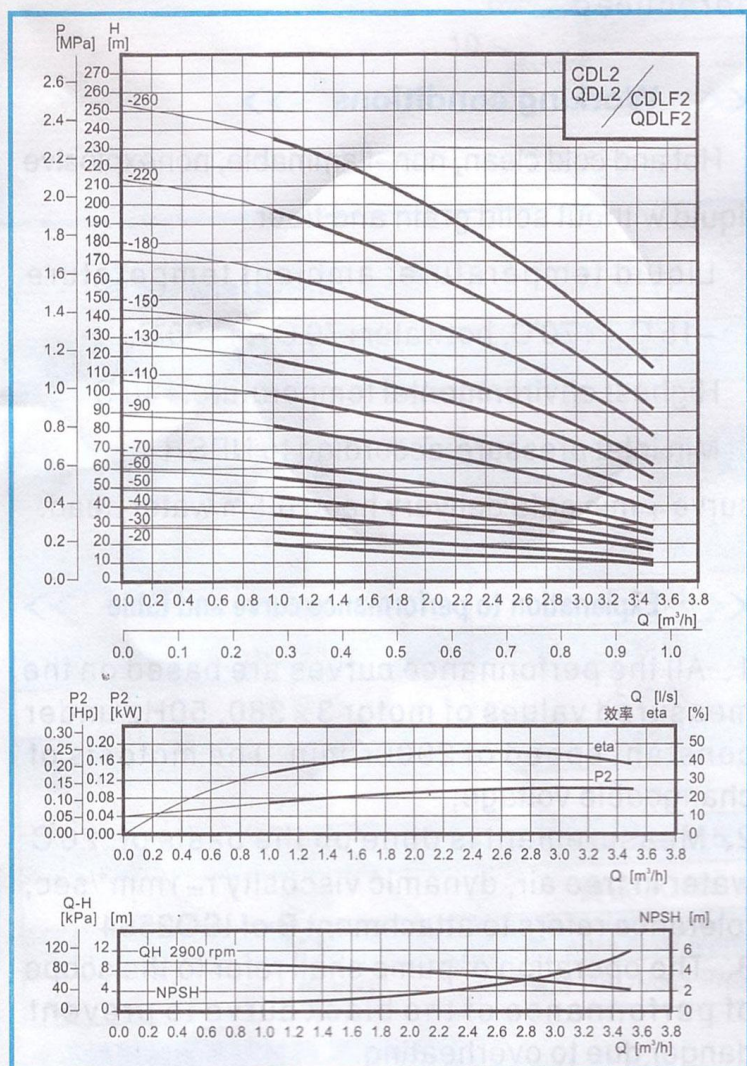
3、The operation of pump shall refer to the scope of performance of the black curve to prevent danger due to overheating.

CDL、QDL型立式不锈钢多级离心泵

泵安装尺寸图 (Install measurements map of pump)



性能曲线 (Performance curve)



管路联接P (Pipe coupling P)

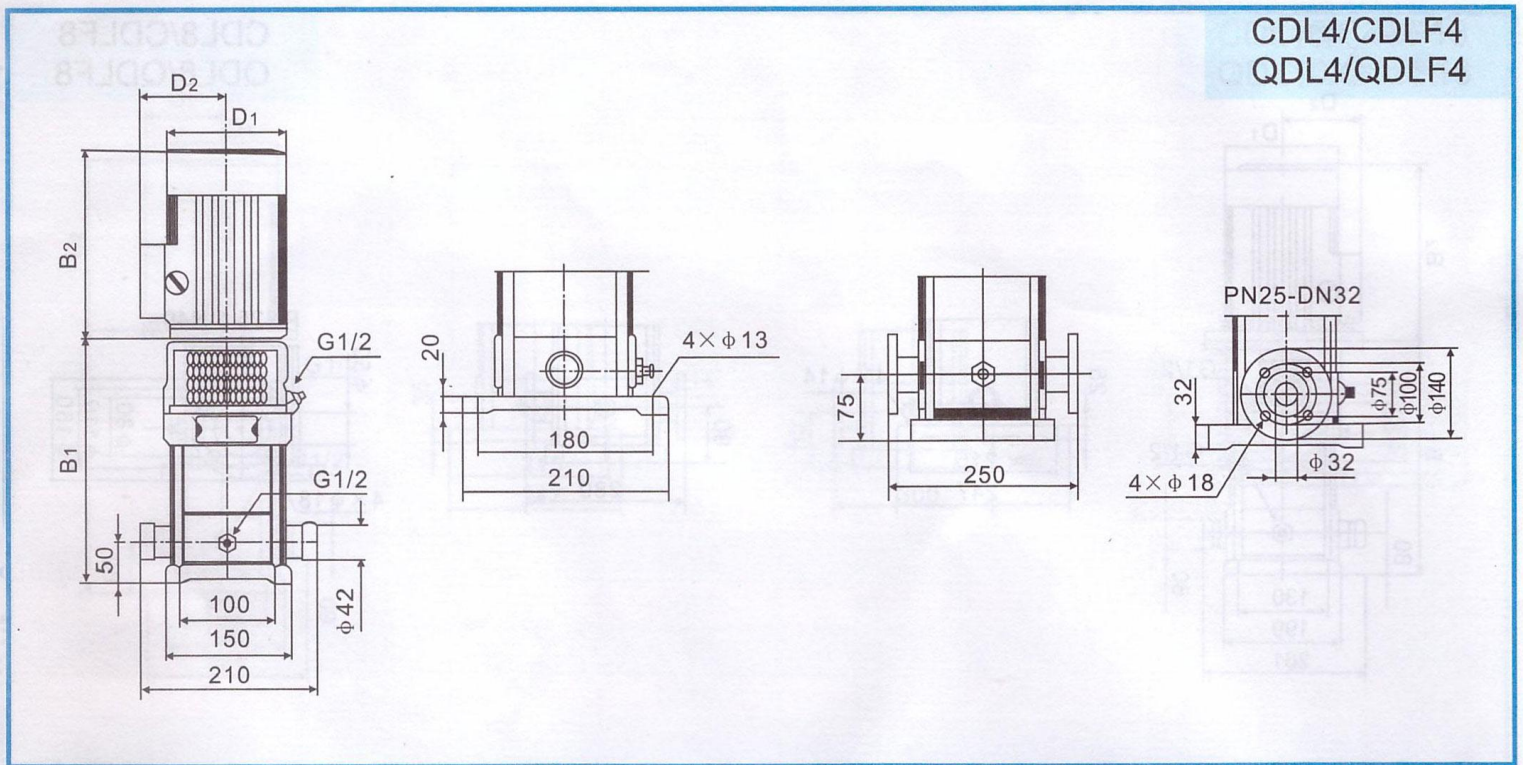
卡套式快装接口 cutting ferrule style ready-packaged joint	DN25mm或32mm
内螺纹 Internal thread	ZG1"或ZG1 1/4"
法兰 Flange	PN25-DN25

尺寸 (Dimension)

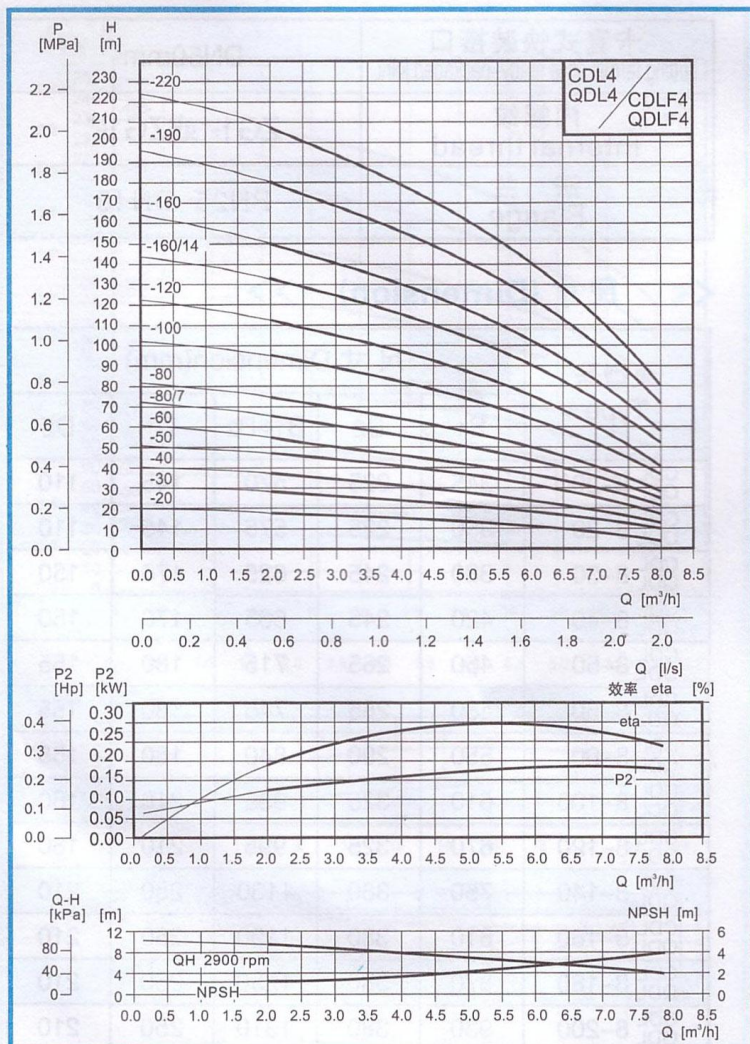
泵型号 Type	尺寸 Dimension(mm)				
	B1	B2	B1+B2	D1	D2
CDL QDL 2-20	220	225	445	145	110
CDL QDL 2-30	238	225	463	145	110
CDL QDL 2-40	256	225	481	145	110
CDL QDL 2-50	274	225	499	145	110
CDL QDL 2-60	297	225	522	145	110
CDL QDL 2-70	315	225	540	145	110
CDL QDL 2-90	351	245	596	170	150
CDL QDL 2-110	387	245	632	170	150
CDL QDL 2-130	440	245	685	170	150
CDL QDL 2-150	476	245	721	170	150
CDL QDL 2-180	530	265	795	180	155
CDL QDL 2-220	602	265	867	180	155
CDL QDL 2-260	682	290	972	180	155

Vertical Multipolar And Stainless Steel Centrifugal Pump CDL、QDL型立式不锈钢多级离心泵

泵安装尺寸图 (Install measurements map of pump)



性能曲线 (Performance curve)



管路联接P (Pipe coupling P)

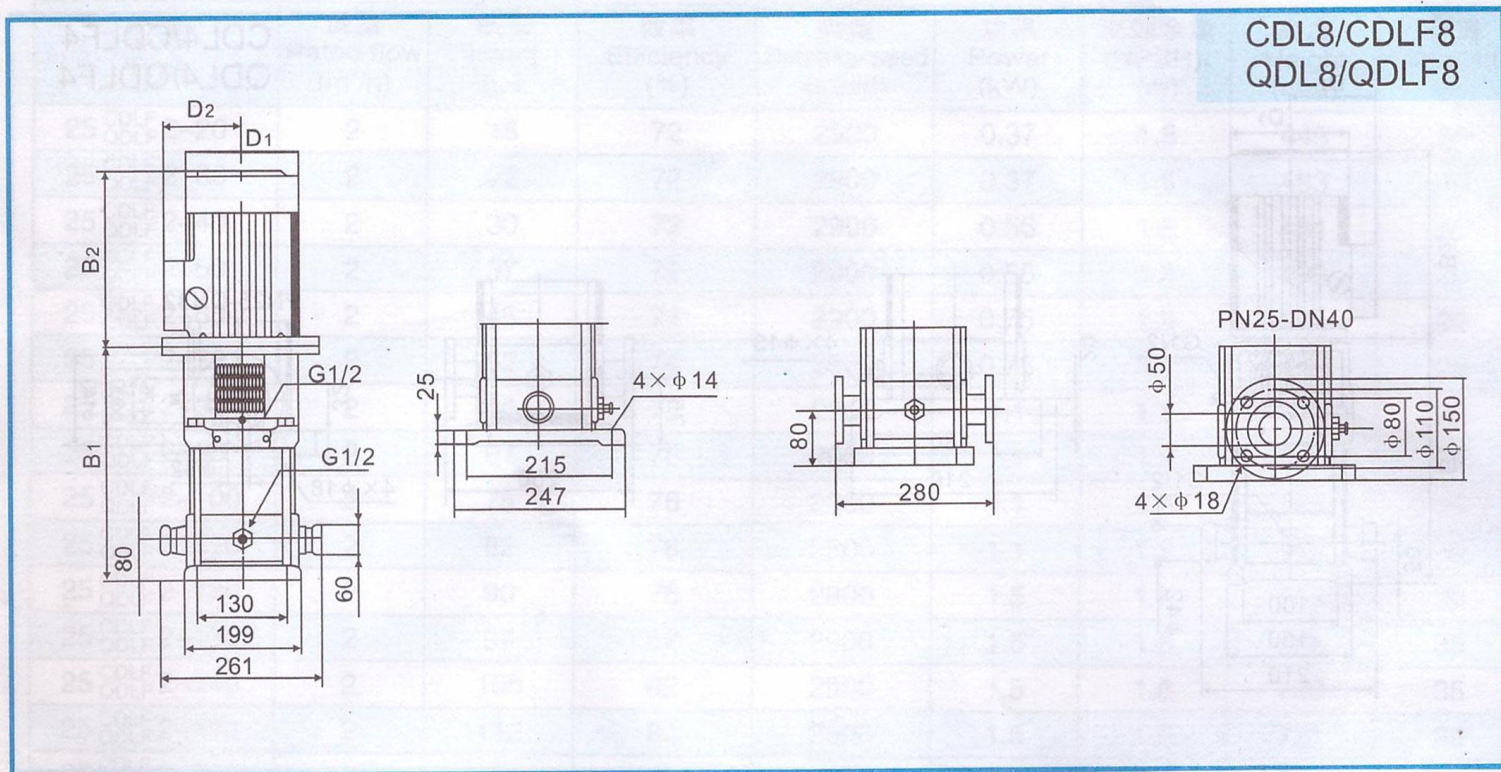
卡套式快装接口 cutting ferrule style ready-packaged joint	DN32mm
内螺纹 Internal thread	ZG1"或ZG1 $\frac{1}{4}$ "
法兰 Flange	PN25-DN32

尺寸 (Dimension)

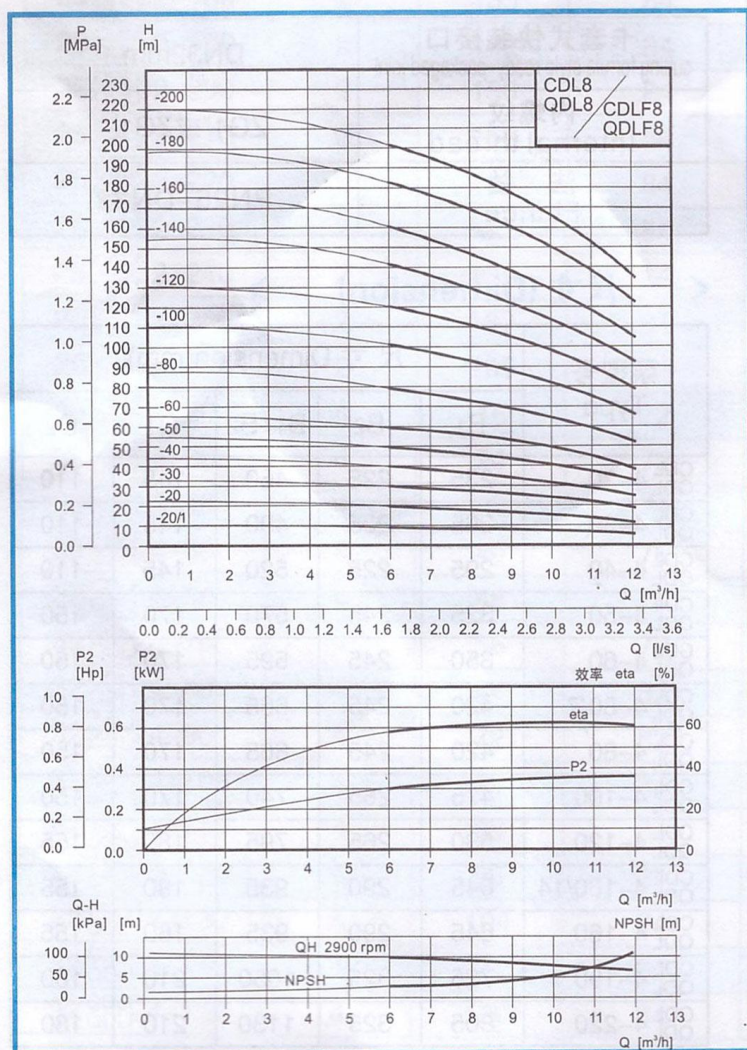
泵型号 Type	尺寸 Dimension(mm)				
	B1	B2	B1+B2	D1	D2
CDL 4-20	235	225	460	145	110
QDL 4-20	235	225	460	145	110
CDL 4-30	265	225	490	145	110
QDL 4-30	265	225	490	145	110
CDL 4-40	295	225	520	145	110
QDL 4-40	295	225	520	145	110
CDL 4-50	325	245	570	170	150
QDL 4-50	325	245	570	170	150
CDL 4-60	350	245	595	170	150
QDL 4-60	350	245	595	170	150
CDL 4-80/7	420	245	665	170	150
QDL 4-80/7	420	245	665	170	150
CDL 4-80	420	245	665	170	150
QDL 4-80	420	245	665	170	150
CDL 4-100	475	265	740	170	150
QDL 4-100	475	265	740	170	150
CDL 4-120	530	265	795	180	155
QDL 4-120	530	265	795	180	155
CDL 4-160/14	645	290	935	180	155
QDL 4-160/14	645	290	935	180	155
CDL 4-160	645	290	935	180	155
QDL 4-160	645	290	935	180	155
CDL 4-190	725	325	1050	210	180
QDL 4-190	725	325	1050	210	180
CDL 4-220	805	325	1130	210	180
QDL 4-220	805	325	1130	210	180

CDL、QDL型立式不锈钢多级离心泵

<<< 泵安装尺寸图 (Install measurements map of pump) >>>



<<< 性能曲线 (Performance curve) >>>



<<< 管路联接P (Pipe coupling P) >>>

卡套式快装接口 cutting ferrule style ready-packaged joint	DN50mm
内螺纹 Internal thread	ZG1 $\frac{1}{4}$ "或ZG1 $\frac{1}{2}$ "
法兰 Flange	PN25-DN40

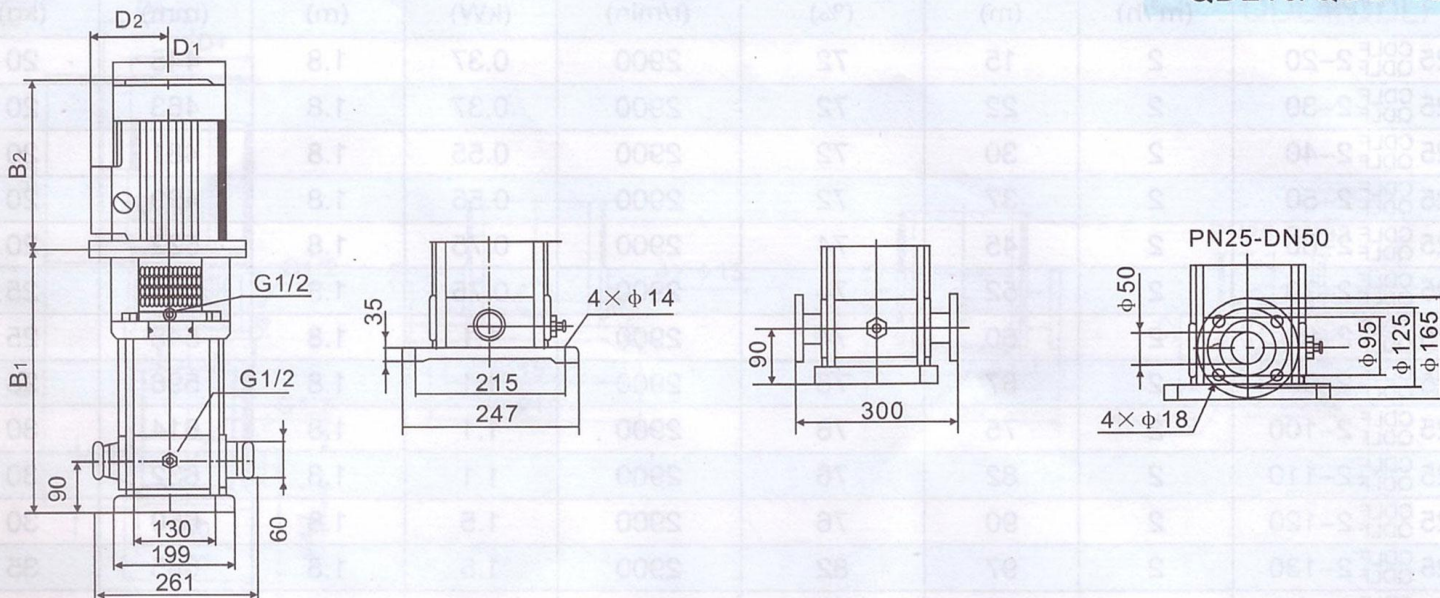
<<< 尺寸 (Dimension) >>>

泵型号 Type	尺寸 Dimension(mm)				
	B1	B2	B1+B2	D1	D2
CDL 8-20/1	345	225	570	145	110
CDL 8-20	350	225	575	145	110
CDL 8-30	380	245	625	170	150
CDL 8-40	420	245	665	170	150
CDL 8-50	450	265	715	180	155
CDL 8-60	480	265	745	180	155
CDL 8-80	550	290	840	180	155
CDL 8-100	610	325	935	210	180
CDL 8-120	670	325	995	210	180
CDL 8-140	750	380	1130	250	210
CDL 8-160	810	380	1190	250	210
CDL 8-180	870	380	1250	250	210
CDL 8-200	930	380	1310	250	210

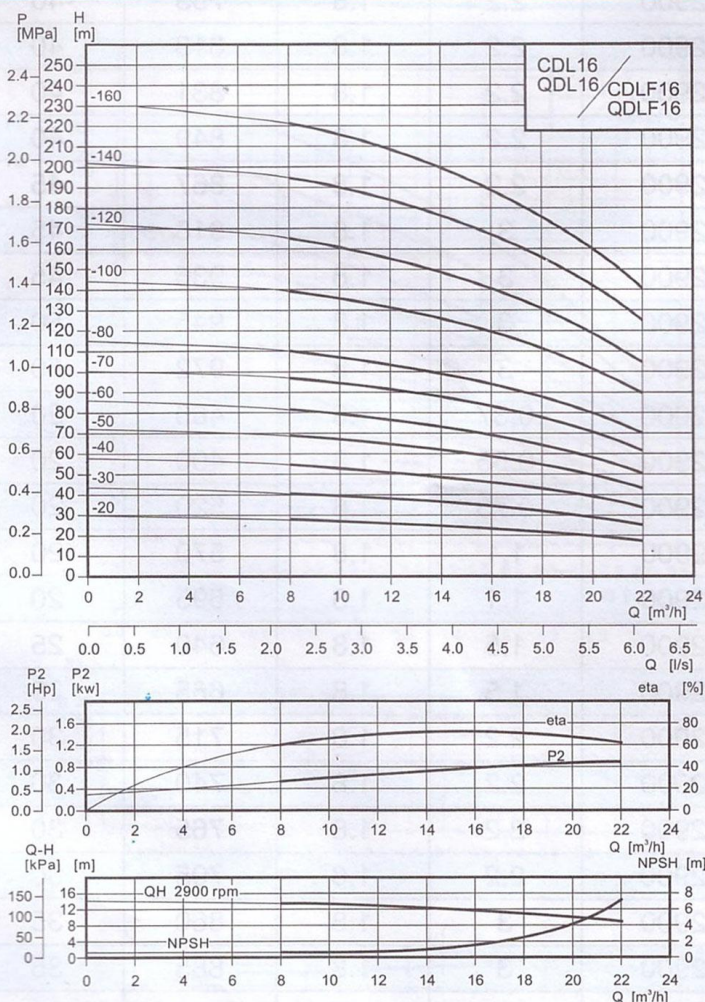
CDL、QDL型立式不锈钢多级离心泵

泵安装尺寸图 (Install measurements map of pump)

CDL16/CDLF16
QDL16/QDLF16



性能曲线 (Performance curve)



管路联接P (Pipe coupling P)

卡套式快装接口 cutting ferrule style ready-packaged joint	DN50mm
法兰 Flange	PN25-DN50

尺寸 (Dimension)

泵型号 Type	尺寸 Dimension(mm)				
	B1	B2	B1+B2	D1	D2
CDL 16-20 QDL 16-20	400	265	665	180	155
CDL 16-30 QDL 16-30	455	290	745	180	155
CDL 16-40 QDL 16-40	500	325	825	210	180
CDL 16-50 QDL 16-50	565	380	945	250	210
CDL 16-60 QDL 16-60	610	380	990	250	210
CDL 16-70 QDL 16-70	655	380	1035	250	210
CDL 16-80 QDL 16-80	700	380	1080	250	210
CDL 16-100 QDL 16-100	820	490	1310	330	255
CDL 16-120 QDL 16-120	910	490	1400	330	255
CDL 16-140 QDL 16-140	1000	490	1490	330	255
CDL 16-160 QDL 16-160	1090	490	1580	330	255

CDL、QDL型立式不锈钢多级离心泵

<<< CDL、QDL型泵性能参数表 (Pump performance parameter list) >>>

型号 Type	流量 Rated flow (m ³ /h)	扬程 Head (m)	效率 Efficiency (%)	转速 Rotatingspeed (r/min)	功率 Power (kW)	汽蚀余量 (NPSH)r (m)	高度 Height (mm)	重量 Weight (kg)
25 CDLF QDLF 2-20	2	15	72	2900	0.37	1.8	445	20
25 CDLF QDLF 2-30	2	22	72	2900	0.37	1.8	463	20
25 CDLF QDLF 2-40	2	30	72	2900	0.55	1.8	481	20
25 CDLF QDLF 2-50	2	37	72	2900	0.55	1.8	499	20
25 CDLF QDLF 2-60	2	45	74	2900	0.75	1.8	522	20
25 CDLF QDLF 2-70	2	52	74	2900	0.75	1.8	540	25
25 CDLF QDLF 2-80	2	60	74	2900	1.1	1.8	548	25
25 CDLF QDLF 2-90	2	67	76	2900	1.1	1.8	596	25
25 CDLF QDLF 2-100	2	75	76	2900	1.1	1.8	614	30
25 CDLF QDLF 2-110	2	82	76	2900	1.1	1.8	632	30
25 CDLF QDLF 2-120	2	90	76	2900	1.5	1.8	650	30
25 CDLF QDLF 2-130	2	97	82	2900	1.5	1.8	685	35
25 CDLF QDLF 2-140	2	105	82	2900	1.5	1.8	703	35
25 CDLF QDLF 2-150	2	112	82	2900	1.5	1.8	721	35
25 CDLF QDLF 2-160	2	120	82	2900	1.5	1.8	759	35
25 CDLF QDLF 2-170	2	127	82	2900	1.5	1.8	777	40
25 CDLF QDLF 2-180	2	135	84	2900	2.2	1.8	795	40
25 CDLF QDLF 2-190	2	142	84	2900	2.2	1.8	813	40
25 CDLF QDLF 2-200	2	150	84	2900	2.2	1.8	831	40
25 CDLF QDLF 2-210	2	157	84	2900	2.2	1.8	849	40
25 CDLF QDLF 2-220	2	165	84	2900	2.2	1.8	867	45
25 CDLF QDLF 2-230	2	172	84	2900	3	1.8	918	45
25 CDLF QDLF 2-240	2	180	84	2900	3	1.8	936	45
25 CDLF QDLF 2-250	2	187	84	2900	3	1.8	945	50
25 CDLF QDLF 2-260	2	195	86	2900	3	1.8	972	50
32 CDLF QDLF 4-20	4	16	72	2900	0.37	1.8	460	20
32 CDLF QDLF 4-30	4	24	72	2900	0.55	1.8	490	20
32 CDLF QDLF 4-40	4	32	74	2900	0.75	1.8	520	20
32 CDLF QDLF 4-50	4	40	76	2900	1.1	1.8	570	20
32 CDLF QDLF 4-60	4	48	76	2900	1.1	1.8	595	20
32 CDLF QDLF 4-70	4	56	76	2900	1.5	1.8	640	25
32 CDLF QDLF 4-80	4	64	82	2900	1.5	1.8	665	25
32 CDLF QDLF 4-90	4	72	82	2900	2.2	1.8	715	30
32 CDLF QDLF 4-100	4	80	84	2900	2.2	1.8	740	30
32 CDLF QDLF 4-110	4	88	84	2900	2.2	1.8	765	30
32 CDLF QDLF 4-120	4	96	84	2900	2.2	1.8	795	30
32 CDLF QDLF 4-130	4	104	84	2900	3	1.8	860	35
32 CDLF QDLF 4-140	4	112	84	2900	3	1.8	885	35
32 CDLF QDLF 4-150	4	120	84	2900	3	1.8	910	35

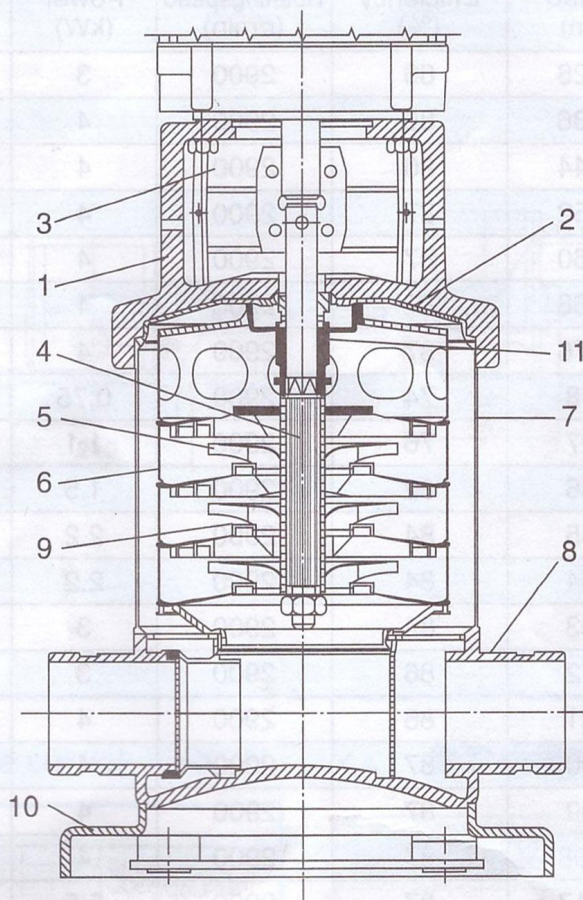
CDL、QDL型立式不锈钢多级离心泵

<<< CDL、QDL型泵性能参数表 (Pump performance parameter list) >>>

型号 Type	流量 Rated flow (m ³ /h)	扬程 Head (m)	效率 Efficiency (%)	转速 Rotatingspeed (r/min)	功率 Power (kW)	汽蚀余量 (NPSH)r (m)	高度 Height (mm)	重量 Weight (kg)
32 CDLF QDLF 4-160	4	128	86	2900	3	1.8	935	35
32 CDLF QDLF 4-170	4	136	86	2900	4	1.8	1000	40
32 CDLF QDLF 4-180	4	144	86	2900	4	1.8	1025	40
32 CDLF QDLF 4-190	4	152	87	2900	4	1.8	1050	40
32 CDLF QDLF 4-200	4	160	87	2900	4	1.8	1075	40
32 CDLF QDLF 4-210	4	168	87	2900	4	1.8	1100	45
32 CDLF QDLF 4-220	4	176	87	2900	4	1.8	1130	45
40 CDLF QDLF 8-20	8	18	74	2900	0.75	2.3	575	25
40 CDLF QDLF 8-30	8	27	76	2900	1.1	2.3	625	30
40 CDLF QDLF 8-40	8	36	82	2900	1.5	2.3	665	30
40 CDLF QDLF 8-50	8	45	84	2900	2.2	2.3	715	40
40 CDLF QDLF 8-60	8	54	84	2900	2.2	2.3	745	40
40 CDLF QDLF 8-70	8	63	84	2900	3	2.3	810	45
40 CDLF QDLF 8-80	8	72	86	2900	3	2.3	840	45
40 CDLF QDLF 8-90	8	81	86	2900	4	2.3	905	55
40 CDLF QDLF 8-100	8	90	87	2900	4	2.3	935	55
40 CDLF QDLF 8-110	8	99	87	2900	4	2.3	965	55
40 CDLF QDLF 8-120	8	108	87	2900	4	2.3	995	55
40 CDLF QDLF 8-130	8	117	87	2900	5.5	2.3	1100	80
40 CDLF QDLF 8-140	8	126	88.5	2900	5.5	2.3	1130	80
40 CDLF QDLF 8-150	8	135	88.5	2900	5.5	2.3	1160	80
40 CDLF QDLF 8-160	8	144	88.5	2900	5.5	2.3	1190	80
40 CDLF QDLF 8-170	8	153	88.5	2900	7.5	2.3	1220	90
40 CDLF QDLF 8-180	8	162	89	2900	7.5	2.3	1250	90
40 CDLF QDLF 8-190	8	171	89	2900	7.5	2.3	1280	90
40 CDLF QDLF 8-200	8	180	89	2900	7.5	2.3	1310	95
50 CDLF QDLF 16-20	16	24	84	2900	2.2	4.6	665	40
50 CDLF QDLF 16-30	16	36	86	2900	3	4.6	745	50
50 CDLF QDLF 16-40	16	48	86	2900	4	4.6	825	55
50 CDLF QDLF 16-50	16	60	88.5	2900	5.5	4.6	945	70
50 CDLF QDLF 16-60	16	72	88.5	2900	5.5	4.6	990	75
50 CDLF QDLF 16-70	16	84	89	2900	7.5	4.6	1035	80
50 CDLF QDLF 16-80	16	96	89	2900	7.5	4.6	1080	80
50 CDLF QDLF 16-90	16	108	89	2900	11	4.6	1255	140
50 CDLF QDLF 16-100	16	120	92.5	2900	11	4.6	1310	140
50 CDLF QDLF 16-110	16	132	92.5	2900	11	4.6	1365	145
50 CDLF QDLF 16-120	16	144	92.5	2900	11	4.6	1420	145
50 CDLF QDLF 16-130	16	156	92.5	2900	15	4.6	1545	150
50 CDLF QDLF 16-140	16	168	92.5	2900	15	4.6	1600	165

CDL、QDL型立式不锈钢多级离心泵

<<< 剖面图 (Sectional map) >>>



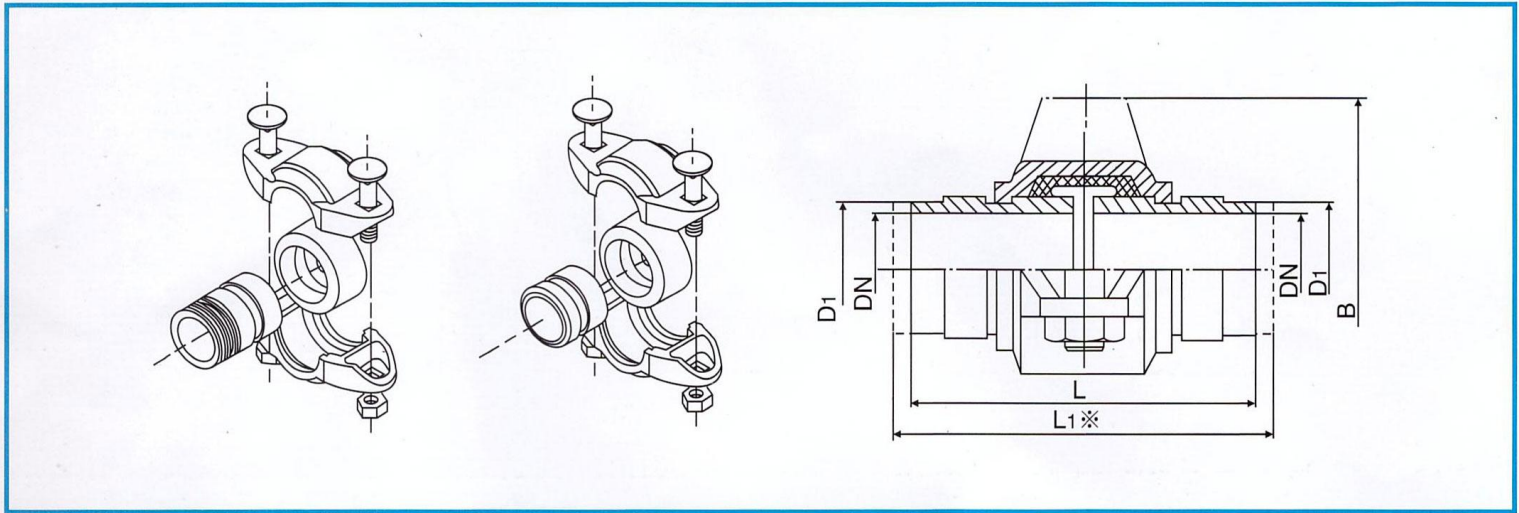
<<< 材料 (Material) >>>

序号 (NO)	说明	材料	Name	Material
1	机架	铸铁GG20*	Framework	Iron casting GG20*
2	泵头盖	不锈钢	Pump cover	Stainless steel
3	联轴器罩	不锈钢	Coupling cover	Stainless steel
4	轴	不锈钢	Axle	Stainless steel
5	叶轮	不锈钢	Impeller	Stainless steel
6	中间腔体	不锈钢	Middle cavity	Stainless steel
7	外套筒	不锈钢	Outer box	Stainless steel
	固定螺栓	不锈钢	Fixed bolt	Stainless steel
8	泵体	不锈钢	Pump body	Stainless steel
9	颈环	Acoflon 215	Neck strap	Acoflon 215
10	底板	铸铁GG20*	Under board	Iron casting GG20*
11	轴封	RUUE,RUVV,AUUE,AUVV, AUAE,BUBE,BUBV	Shaft seal	RUUE,RUVV,AUUE,AUVV, AUAE,BUBE,BUBV
	泵中橡胶件	同轴封 EPDM或FPM(Viton)	Pump rubbers	As axle-cover EPDM or FPM (Viton)

* 不锈钢根据要求材料 304或316

* Stainless steel according to material 304 or 316

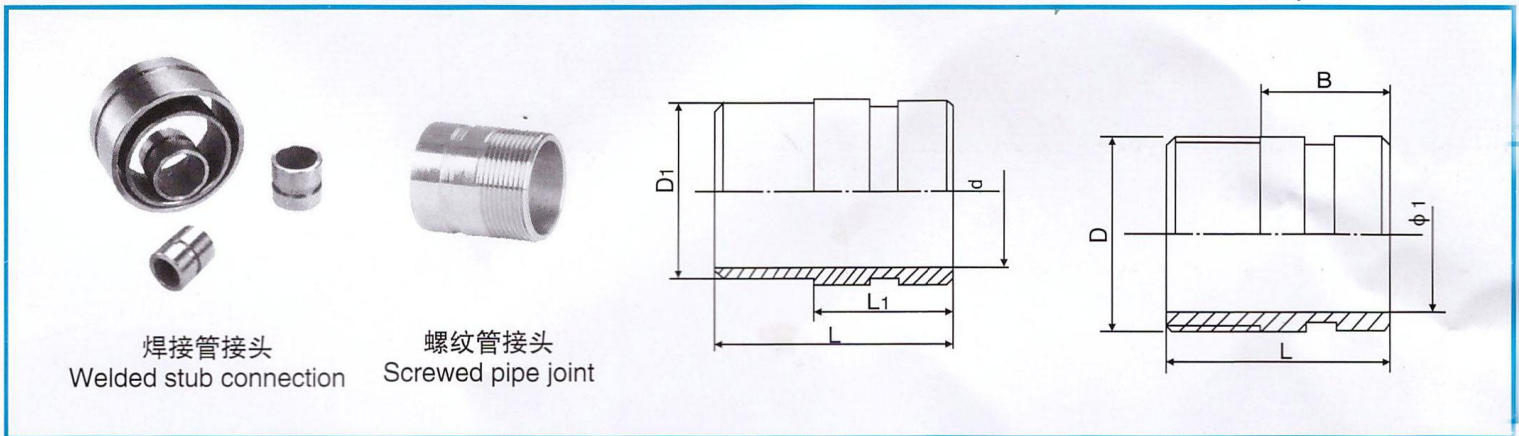
卡套式快装接头、管道连接件图 (Cutting ferrule style ready-packaged joint and pipelion connective part)



尺寸表 (Dimension list)

规格 (size) \ 尺寸(Dimension) (mm)	1"	1 1/4"	1 1/2"	2"	2 1/2"	3"	4"
DN	25	32	38	50	67	79	100
D1	32	38	45	57	76	89	108
L/L1*	86/106	86/112	87/116	97/122	97	97	98
B	96	106	115	125	145	165	196

注：*L1为螺纹接头装后总长尺寸 (*L1 as total size after install thread joint)



焊接管接头
Welded stub connection

螺纹管接头
Screwed pipe joint

焊接管接头尺寸 (Welded stub connection dimension)

规格 \ 尺寸(mm)	d	D1	L1	L
1"	25	32	30	40
1 1/4"	32	38	30	40
1 1/2"	38	45	32	40
2"	50	57	35	45
2 1/2"	67	76	35	45
3"	79	89	35	45
4"	100	108	35	45

螺纹管接头尺寸 (Screwed pipe joint dimension)

规格 \ 尺寸(mm)	d	D1	L1	L
1"	ZG1"	25	30	50
1 1/4"	ZG1 1/4"	32	30	53
1 1/2"	ZG1 1/2"	38	32	55
2"	ZG2"	50	35	58